

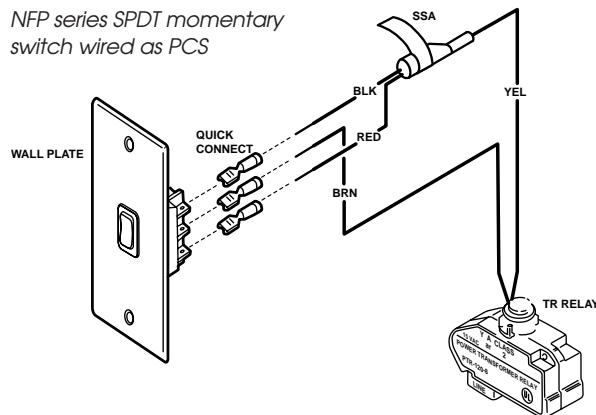
Product Change Announcement – EFFECTIVE IMMEDIATELY

ILC PCS and MCS Toggle Switch Replacement

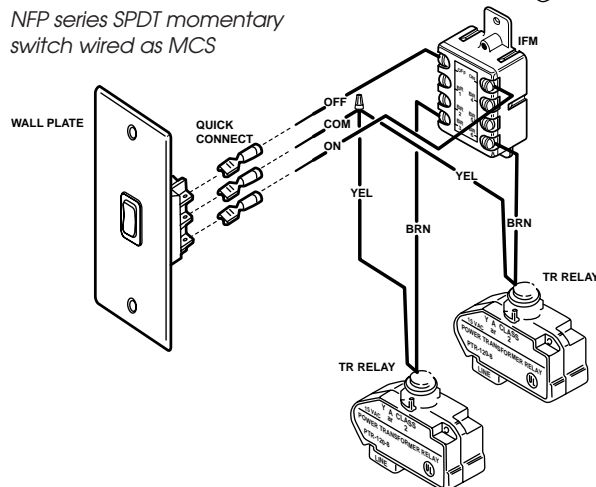
Effective immediately, ILC PCS and MCS toggle switches are no longer available. See below for instructions and replacement information.

- If you have a PCS and/or MCS switch(s) on back order, you must contact ILC to make arrangements for a substitution or cancellation.
- There is no remaining inventory of PCS or MCS switches, and manufacturing has been discontinued.
- Effective immediately, the NFP series rocker switch is the factory recommended replacement for PCS and MCS toggle switches.
- Please order the NFP series switch as a substitute for all PCS and MCS toggle switches.
- If the NFP switch is to be wired as a PCS switch, a Standard Switch Adaptor (SSA) is required and must be ordered separately.
- If the NFP switch is to be wired as a MCS switch, a Interface Module (IFM) is required and must be ordered separately. No Standard Switch Adaptor (SSA) is required.
- NFP switches are available in black (standard) or white only. Switch plates are available in Stainless Steel, Painted White or Painted Ivory and are ordered separately per switch configuration (number of switches per plate (1-8) and number of gangs (1-2)).
- All of these substitution items are listed on the ILC Distributor Price List.

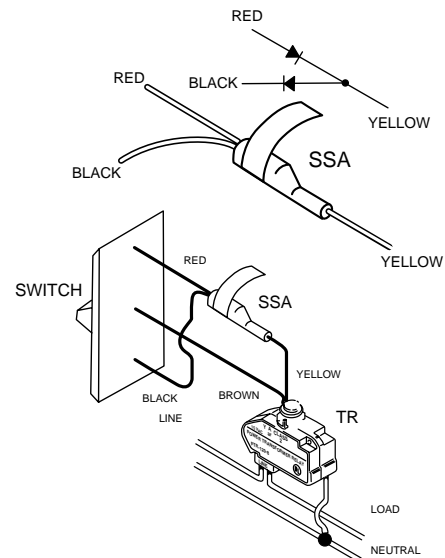
NFP series SPDT momentary switch wired as PCS



NFP series SPDT momentary switch wired as MCS



Alternative switch installation using Standard Switch Adaptor (SSA)



The Standard Switch Adaptor (SSA) can be used in any situation where the designer declines to use the NFP PCS switch. For example, if the decor of the building requires that switches be a color other than white or ivory. When replacing a pre-existing low voltage control system with ILC Transformer Relays, the designer could elect to add a SSA to each existing SPDT momentary contact switch rather than installing new PCSs.